

# POMELO 3 (G063)

## PARTS CATALOG

First edition, January 2001

Ricoh Company, LTD.

**POMELO 3 (G063)**

**PARTS CATALOG**

This catalog gives the numbers and names of parts on this machine.

**CONTENTS**

POMELO 3	(G063)
Paper Feed Unit Type 206	(G657)
AD390	(G657)

POMELO 3 (G063)

## POMELO 3 (G063)

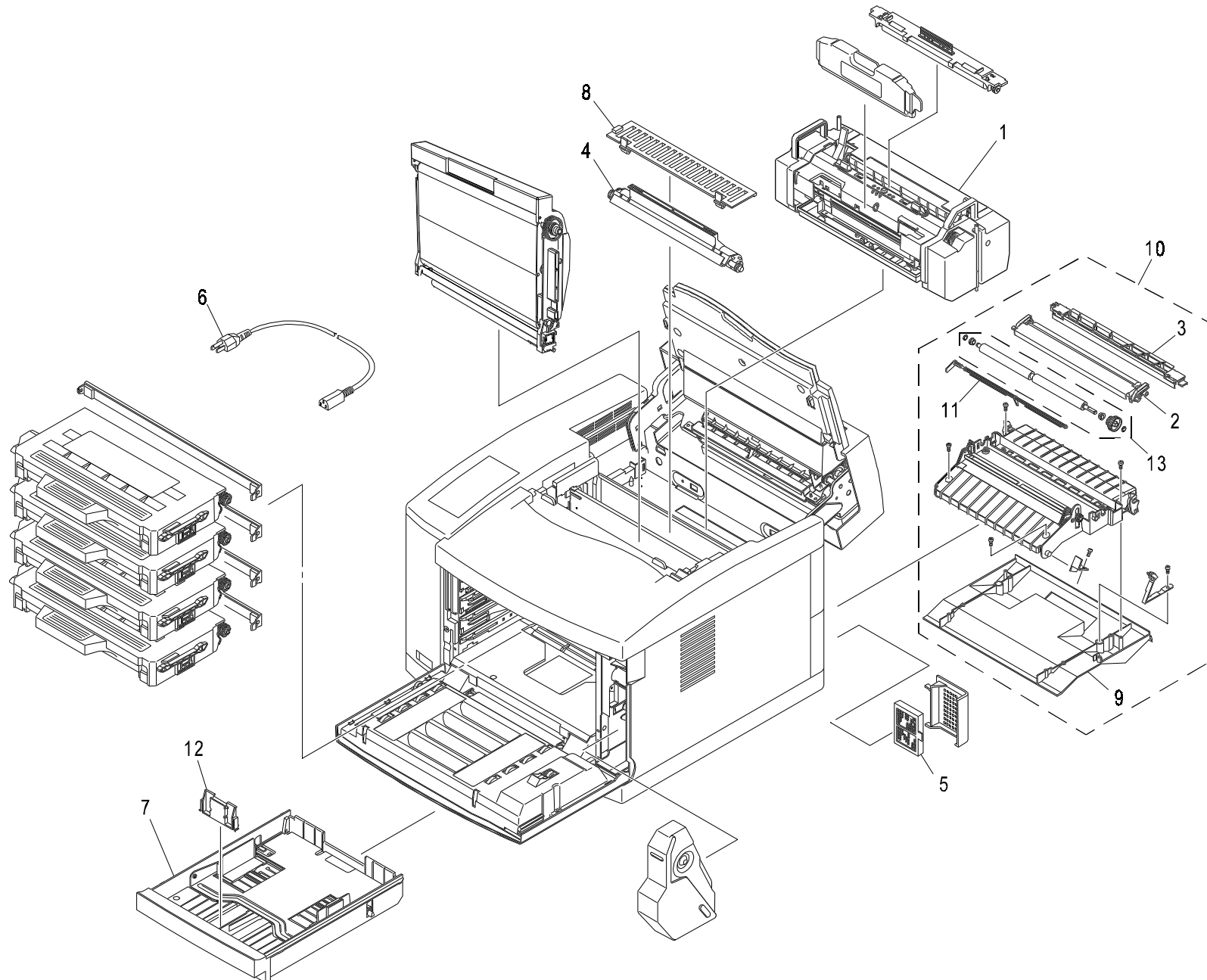
### PARTS CATALOG

This catalog gives the numbers and names of parts on this machine.

### CONTENTS


1.MAIN FRAME1 (G063).....	2
2.MAIN FRAME2 (G063).....	4
3.MAIN FRAME3 (G063).....	6
4.MAIN FRAME4 (G063).....	8
5.HARNESS LAYOUT (G063).....	10
6.PRINTER CONTROL BOARD (G063) .....	12
7.DECAL AND DOCUMENTS (G063).....	16
8.SPECIAL TOOLS (G063) .....	18
<b>PARTS INDEX.....</b>	<b>21</b>

# 1.MAIN FRAME1 (G063)



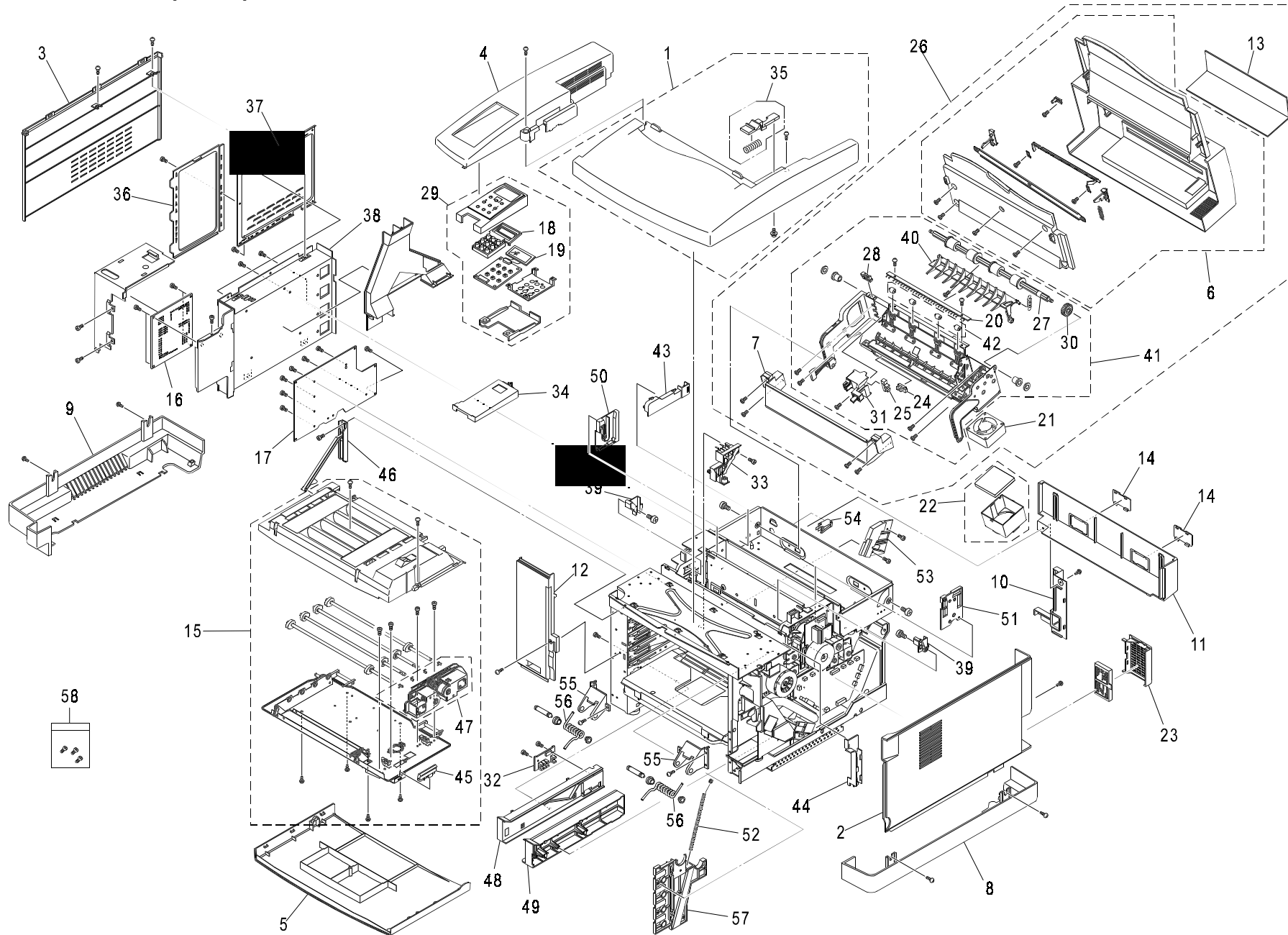
### 1.MAIN FRAME1 (G063)



Index No.	Part No.	Description	Q'ty Per Assembly
1	V127 189	Fusing Unit (US) 2	1
1	V127 190	Fusing Unit (EC) 2	1
2	V127 192	Transfer Roller 2	1
3	V127 193	Paper Discharger 2	1
4	V127 194	Drum Cleaner 2	1
5	V126 164	Ozone Filter	1
6	V126 148	Power Cord(US)	1
7	V127 371	Paper Cassette 2 (RI)E	1
8	V127 196	Cleaner Cover	1
9	V127 372	TR Unit Cover 2 (RI)	1
10	V127 373	Transfer Unit 2 (RI)	1
11	V126 534	PTI Sensor Lever 2	1
12	V127 200	CP End Plate	1
13	V127 201	Registration Roller 2	1
			

Index No.	Part No.	Description	Q'ty Per Assembly

## 2.MAIN FRAME2 (G063)



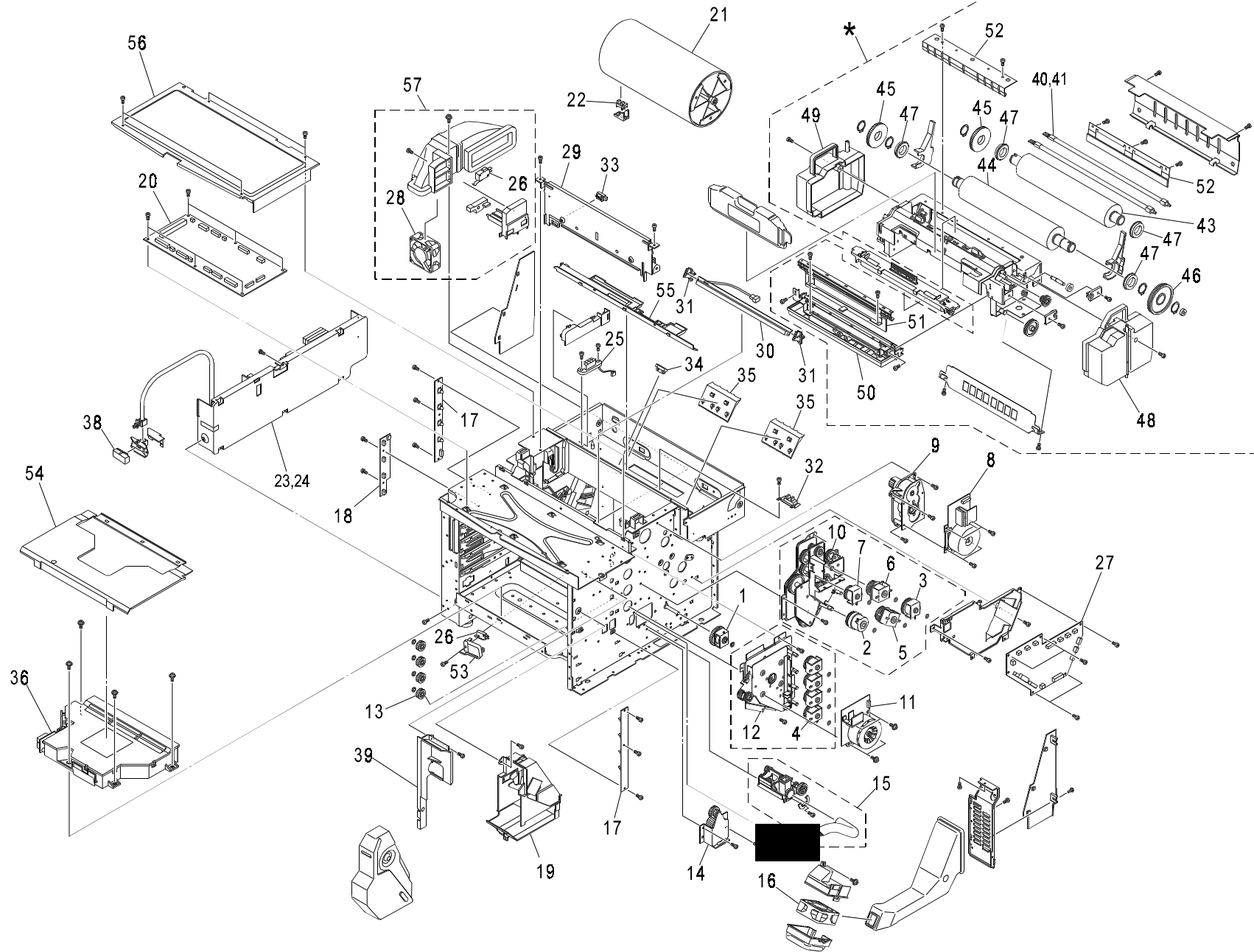
## 2.MAIN FRAME2 (G063)

Index No.	Part No.	Description	Q'ty Per Assembly
1	V127 374	Top Cover Assy 2 (RI)	1
2	V127 375	Side Cover R 2 (RI)	1
3	V127 376	Side Cover L 2 (RI)	1
4	V127 377	Upper Side Cover L 2 (RI)	1
5	V127 378	Front Cover 2 (RI)	1
6	V127 379	Paper Exit Unit Cover 2 (RI)	1
7	V127 208	Paper Exit Front Cover 2	1
8	V127 380	Base Cover R 2 (RI)	1
9	V127 381	Base Cover L 2 (RI)	1
10	V127 382	Rear Cover 2 (RI)	1
11	V127 383	Rear Cover U 2 (RI)	1
12	V127 384	Side F Cover L 2 (RI)	1
13	V127 385	Paper Exit Upper Cover 2 (RI)	1
14	V126 568	Rear Cover (U) Cap (RI)	1
15	V127 386	Front Cover Unit 2 (RI)	1
16	V127 387	MCTL P.W.B 2	1
17	V127 217	High Voltage Unit 2	1
18	V126 504	Panel Button (RI)	1
19	V126 505	Panel P.W.B	1
20	V123 842	Discharge Brush	1
21	V127 218	Cooling Fan (EX) 2	1
22	V126 660	Paper Exit Filter	1
23	V127 388	Ozone Filter Cover (RI)	1
24	V126 167	Paper Sensor (PT2)	1
25	V126 167	Paper Sensor (F.CL)	1
26	V127 389	Paper Exit Unit 2 (RI)	1
27	V127 390	Paper Exit Roller	1
28	V126 167	Paper Sensor (EXF)	1
29	V126 517	Panel Case Assy	1
30	V127 221	Paper Exit Gear Z19	1
31	V127 222	FCS Cover Assy	1
32	V127 223	Paper Size Sensor 2	1
33	V127 224	BC Ter minal 2	1
34	V127 225	SL2 Panel Base	1
35	V127 391	P. EX Button	1

Index No.	Part No.	Description	Q'ty Per Assembly
36	V127 227	Shild Cover B	1
37	V127 228	Shild Cover A	1
38	V127 229	Shild Case Assy	1
39	V127 230	BC Lock Lever (set)	1
40	V127 231	P. EX Switch Guide	1
41	V127 232	P.EX Frame Assy	1
42	V127 233	P.EX Idle Roller(set)	1
43	V127 234	P.EX Harness Cover	1
44	V127 235	IOD Harness Guide	1
45	V127 392	Front Cover Catch	1
46	V127 237	FD2 Arm Assy	1
47	V127 238	DE Solenoid Assy	1
48	V126 200	FP Cassette Guide L	1
49	V126 201	FP Cassette Guide R	1
50	V127 241	DC Guide L	1
51	V127 242	DC Guide R	1
52	V127 243	WT U Spring	1
53	V127 244	TR Terminal Base Assy	1
54	V123 817	Interlock Switch	1
55	V127 418	Hinge Base 2 (L,R)	1
56	V127 419	Hinge Spring 2 (L,R)	1
57	V127 422	S Plate 2 (R)	1
58	V127 336	Screw Pack	1



### 3.MAIN FRAME3 (G063)

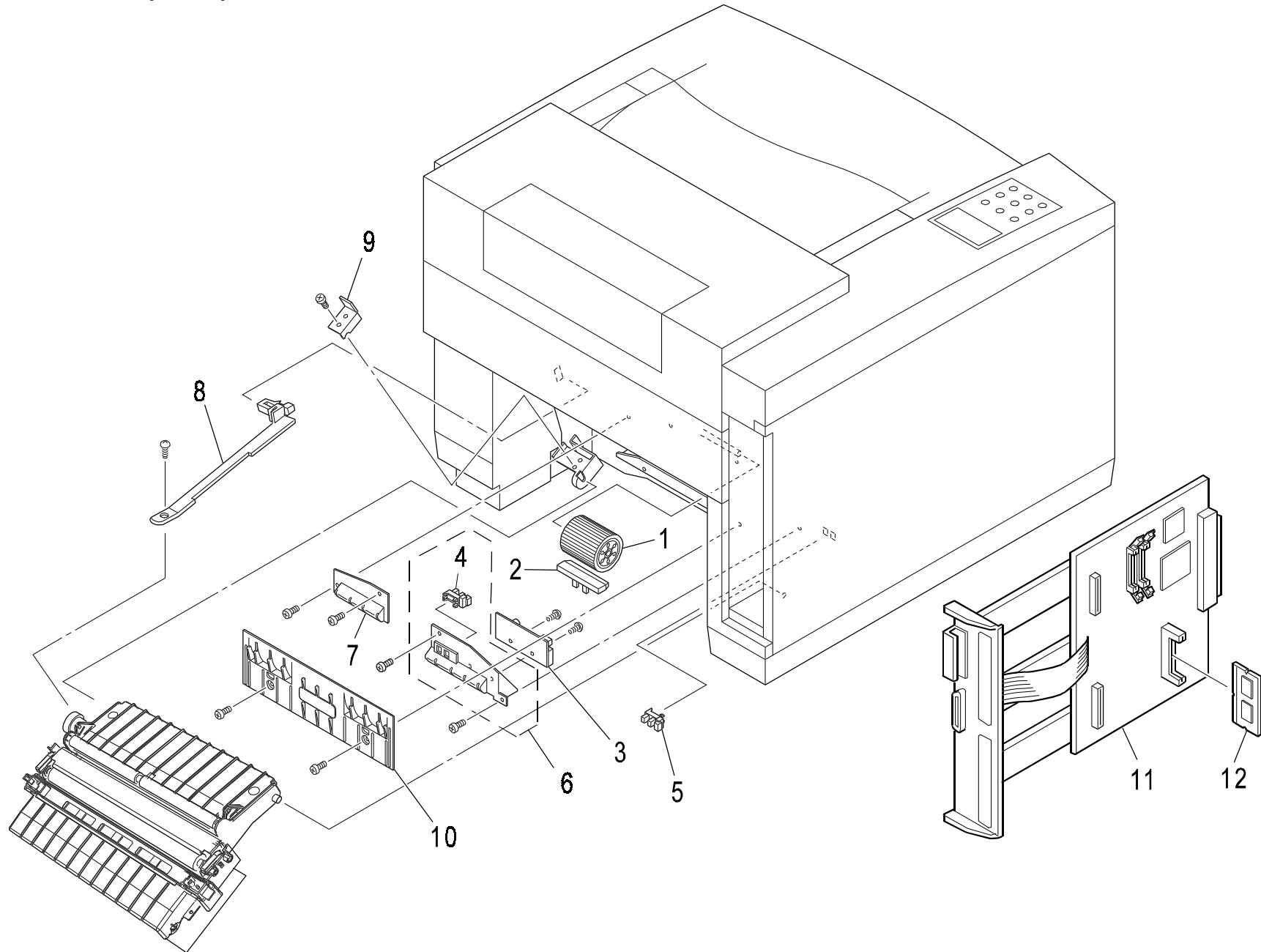


### 3.MAIN FRAME3 (G063)

Index No.	Part No.	Description	Q'ty Per Assembly
*	<b>V127 189</b>	<b>Fusing Unit(US)2</b>	<b>1</b>
*	<b>V127 190</b>	<b>Fusing Unit(EC)2</b>	<b>1</b>
1	V126 152	Paper Feeding Clutch	1
2	V126 153	Registration Clutch	1
3	V126 154	Fuser Clutch	1
4	V127 245	Developer Clutch 2	1
5	V126 639	TR Cam Clutch	1
6	V126 639	FB Cam Clutch	1
7	V126 662	Cleaner Clutch 2	1
8	V127 246	Main Motor 2	1
9	V127 247	BD Gear Assy 2	1
10	V127 248	Main Gear Unit 2	1
11	V127 249	Developer Motor 2	1
12	V127 250	Developer Drive Unit 2	1
13	V127 251	Dev. Drive Gear 2(4 pcs)	1
14	V127 252	FP2 Gear Assy	1
15	V127 253	Waste Toner Feeder (L) 2	1
16	V126 163	Cooling Fan (OZ)	1
17	V126 169	Toner Sensor	1
18	V127 255	Toner Key Sensor 2	1
19	V127 256	WT Holder Assy 2	1
20	V127 257	IOD 1 P.W.B 2	1
<b>21</b>	<b>V127 258</b>	<b>Transfer Drum 2</b>	<b>1</b>
22	V126 167	Paper Sensor (D. EN)	1
23	V127 393	Power Supply Unit (US) 2	1
24	V127 394	Power Supply Unit (EC) 2	1
25	V127 261	Fuser Connector 2	1
26	V123 817	Interlock Switch	2
27	V127 262	IOD 2 P.W.B 2	1
28	V127 263	Cooling Fan (PS )2	1
29	V127 264	Waste Toner Feeder (U) 2	1
30	V126 144	Erase Lamp	1
31	V126 533	Erase Holder (2 pcs)	1
32	V126 145	Oil Sensor	1
33	V126 168	Belt Sensor	1

Index No.	Part No.	Description	Q'ty Per Assembly
34	V126 168	Drum Jam Sensor	1
35	V127 395	Paper Guide D 2 (2pcs)	1
36	V127 265	Optical Unit 2	1
38	V127 396	SW Button	1
39	V127 267	Cover (FR)	1
40	V127 268	Fusing Heater (US)2	1
41	V127 269	Fusing Heater (EC)2	1
43	V127 271	Baack-UP Roller 2	1
44	V127 272	Fusing Roller 2	1
45	V127 273	Gear (FU)(BR)2	1
46	V127 274	FU2 Gear 63	1
47	V127 275	Ball Bearing FU 2 (2pcs)	1
48	V127 276	Fuser Cover (R)2	1
49	V127 277	Fuser Cover (L)2	1
50	V127 278	Oil Pan Unit 2	1
51	V127 279	FU Felt Assy 2	1
52	V127 280	BR Felt Assy 2	1
53	V127 281	SL2 SW Base F	1
54	V127 282	SL2 Inner Cover C	1
55	V127 283	Oil Sensor Cover	1
56	V127 284	Shield Upper	1
57	V127 285	SL2 PS Fan Assy	1

# 4.MAIN FRAME4 (G063)

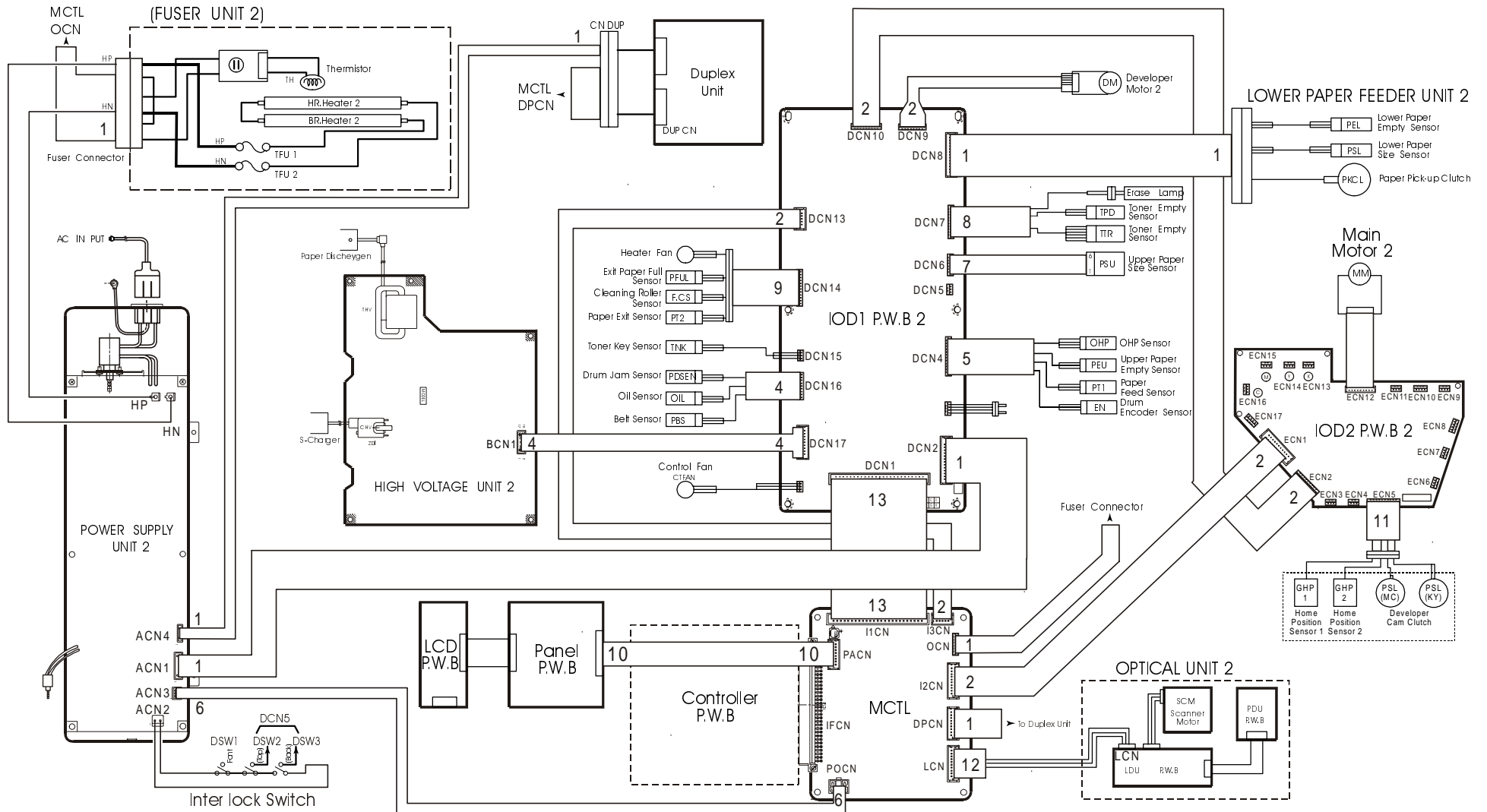


#### 4.MAIN FRAME4 (G063)

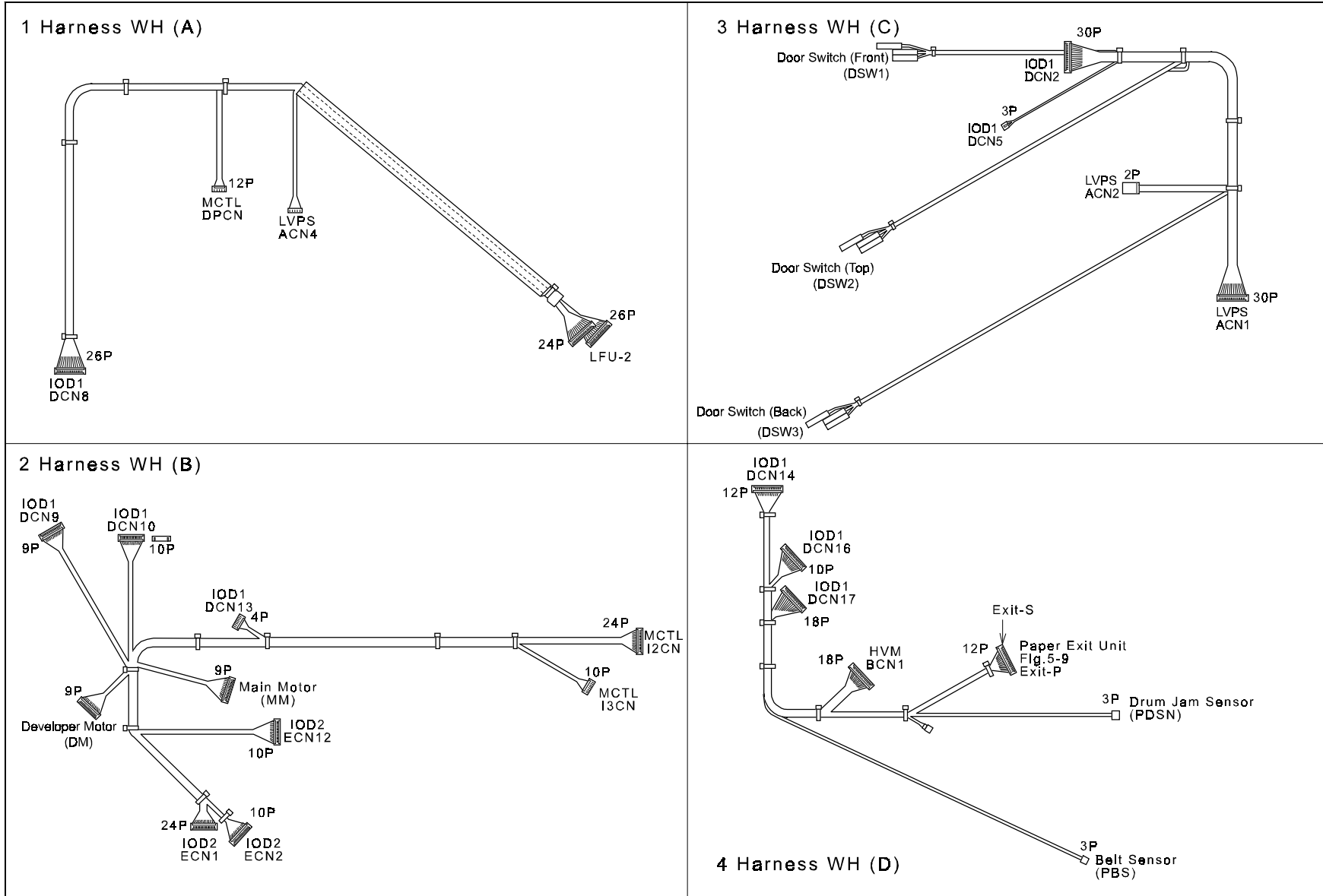
Index No.	Part No.	Description	Q'ty Per Assembly
1	V126 142	Paper Feeding Roller	1
2	V126 528	Separator Pad (2)	1
3	V126 648	OHP Sensor	1
4	V126 167	Paper Sensor (P.EN)	1
5	V126 167	Paper Sensor (PT1)	1
6	V127 286	Paper Guide (UL) Assy 2	1
7	V127 287	Paper Guide (UR) 2	1
8	V127 288	TR3 Rear Band	1
9	V127 289	TR3 Hinge Supprt	1
10	V126 545	Paper Guide L	1
11	G063 5741	Printer Control Board	1
12	G063 5720	DIMM Board - RPS2	1

Index No.	Part No.	Description	Q'ty Per Assembly

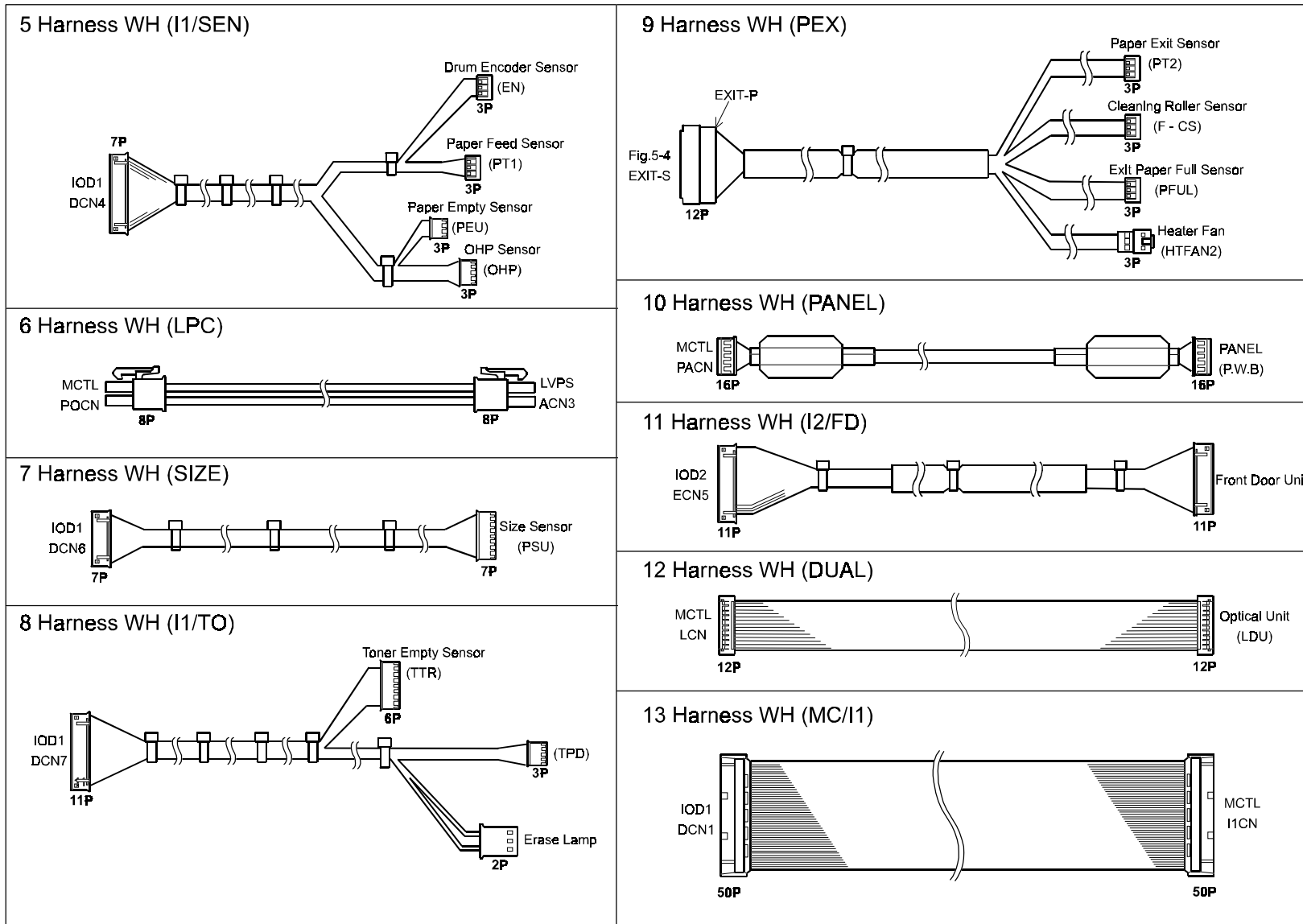
# 5.HARNES LAYOUT (G063)



# 5.HARNES LAYOUT (G063)



# 5.HARNES LAYOUT (G063)



## 5.HARNES LAYOUT (G063)

Index No.	Part No.	Description	Q'ty Per Assembly
1	V127 355	Harness WH (A)	1
2	V127 356	Harness WH (B) (US)	1
2	V127 398	Harness WH (B)-C (EU)	1
3	V127 357	Harness WH (C)	1
4	V127 358	Harness WH (D)	1
5	V127 359	Harness WH (I1/SEN)	1
6	V127 360	Harness WH (LPC)	1
7	V127 361	Harness WH (SIZE)	1
8	V127 362	Harness WH (I1/TO)	1
9	V127 363	Harness WH (PEX)	1
10	V127 364	Harness WH (HTPN) (US)	1
10	V127 399	Harness WH (HTPN)-B (EU)	1
11	V127 365	Harness WH (I2/FD)	1
12	V127 366	Harness WH (DUAL) (US)	1
12	V127 400	Harness WH (DUAL)-B (EU)	1
13	V127 367	Harness WH (MC/I1)	1

Index No.	Part No.	Description	Q'ty Per Assembly



## 6.PRINTER CONTROL BOARD (G063)

### CAPACITOR

SYMBOL NO.	INDEX NO.	SYMBOL NO.	INDEX NO.	SYMBOL NO.	INDEX NO.	SYMBOL NO.	INDEX NO.	SYMBOL NO.	INDEX NO.	SYMBOL NO.	INDEX NO.		
C1	165	C11	164	C27	160	C37	163	C53	164	C69	163	C79	165
C2	163	C12	157	C28	160	C38	164	C54	160	C70	165	C80	163
C3	130	C13	161	C29	160	C39	157	C55	---	C71	165	C81	163
C4	164	C14	162	C30	160	C42	164	C56	131	C72	165	C82	163
C5	160	C15	163	C31	160	C43	164	C57	165	C73	165	C83	163
C6	158	C16	129	C32	165	C44	165	C58	163	C74	165	C84	163
C7	158	C17	164	C33	160	C46	165	C63	129	C75	165	C85	163
C8	164	C18	164	C34	165	C48	164	C64	165	C76	165	C86	163
C9	164	C19	159	C35	156	C49	164	C65	163	C77	165	C87	163
C10	164	C20	159	C36	164	C52	130	C68	129	C78	165	C88	163

### CAPACITOR

SYMBOL NO.	INDEX NO.	SYMBOL NO.	INDEX NO.	SYMBOL NO.	INDEX NO.	SYMBOL NO.	INDEX NO.	SYMBOL NO.	INDEX NO.	SYMBOL NO.	INDEX NO.	SYMBOL NO.	INDEX NO.
C91	165	C101	163	C111	165	C121	163	C131	165	C141	---	C151	164
C92	165	C102	163	C112	165	C122	163	C132	163	C142	156	C152	163
C93	165	C103	163	C113	165	C123	163	C133	---	C143	165	C153	---
C94	165	C104	163	C114	165	C124	163	C134	---	C144	163	C154	---
C95	165	C105	163	C115	165	C125	165	C135	---	C145	165	C155	164
C96	165	C106	163	C116	165	C126	165	C136	---	C146	165	C156	---
C97	165	C107	163	C117	---	C127	165	C137	129	C147	156	C157	129
C98	163	C108	163	C118	---	C128	165	C138	---	C148	165	C158	160
C99	163	C109	163	C119	163	C129	165	C139	129	C149	---	C159	163
C100	163	C110	163	C120	163	C130	165	C140	---	C150	164	C160	164

## 6.PRINTER CONTROL BOARD (G063)

### CAPACITOR

SYMBOL NO.	INDEX NO.	SYMBOL NO.	INDEX NO.	SYMBOL NO.	INDEX NO.	SYMBOL NO.	INDEX NO.	SYMBOL NO.	INDEX NO.	SYMBOL NO.	INDEX NO.	SYMBOL NO.	INDEX NO.
C161	129	C171	163	C181	164	C191	164	C201	165	C211	165	C221	160
C162	164	C172	164	C182	164	C192	164	C202	163	C212	163	C222	163
C163	160	C173	163	C183	164	C193	164	C203	163	C213	163	C223	163
C164	163	C174	164	C184	164	C194	165	C204	165	C214	163	C224	160
C165	164	C175	164	C185	156	C195	165	C205	165	C215	129	C225	163
C166	129	C176	164	C186	156	C196	165	C206	163	C216	164	C226	160
C167	165	C177	165	C187	163	C197	---	C207	165	C217	164	C227	160
C168	162	C178	163	C188	164	C198	164	C208	163	C218	164	C228	163
C169	164	C179	165	C189	---	C199	164	C209	165	C219	129	C229	164
C170	165	C180	165	C190	---	C200	164	C210	165	C220	164	C230	163

### CAPACITOR

SYMBOL NO.	INDEX NO.	SYMBOL NO.	INDEX NO.	SYMBOL NO.	INDEX NO.
C231	160	C241	164	C251	165
C232	163	C242	164	C252	129
C233	163	C243	163	C253	164
C234	160	C244	163	C254	129
C235	163	C245	165	C255	164
C236	160	C246	163	C256	163
C237	129	C247	163	C257	160
C238	164	C248	163	C258	164
C239	160	C249	165	C259	130
C240	163	C250	165	----	---

### CONNECTOR

SYMBOL NO.	INDEX NO.	SYMBOL NO.	INDEX NO.
C261	163	CN1	106
C262	165	CN2	106
C263	165	CN3	104
C264	---	CN4	103
C265	164	CN5	103
C280	164	CN6	105
		CN7	107

### DIODE

SYMBOL NO.	INDEX NO.
D1	111

### FILTER

SYMBOL NO.	INDEX NO.	SYMBOL NO.	INDEX NO.
FIL1	149	FIL6	149
FIL2	148	FIL7	148
FIL3	133	FIL8	148
FIL4	132	FIL9	148
FIL5	133	FIL10	148

## 6.PRINTER CONTROL BOARD (G063)

### FILTER

SYMBOL NO.	INDEX NO.
FIL11	---
FIL12	148
FIL13	148
FIL14	132
FIL15	132

### IC

SYMBOL NO.	INDEX NO.
IC1	117
IC2	114
IC3	116
(Socket)	108
IC4	115
IC5	115
IC6	113
IC7	118
IC8	1
IC9	3
IC10	---

SYMBOL NO.	INDEX NO.
IC11	166
IC12	2
IC13	112
IC14	120
IC15	---
IC16	121
IC17	122
IC18	123
IC19	119

### JP

SYMBOL NO.	INDEX NO.
JP1	---
JP2	---
JP3	149
JP4	149
JP5	149
JP6	149
JP7	149
JP8	149
JP9	149
JP10	149

SYMBOL NO.	INDEX NO.
JP11	148
JP12	148
JP13	148
JP14	148
JP22	149
JP23	149
JP24	149
JP25	149
JP26	149
JP27	149

SYMBOL NO.	INDEX NO.
JP30	149
JP31	149
JP32	149
JP33	149

### OSC

SYMBOL NO.	INDEX NO.
OSC1	124
OSC2	4

### RESISTOR

SYMBOL NO.	INDEX NO.
R1	137
R2	146
R3	137
R4	147
R5	146
R6	142
R7	142
R8	142
R9	137
R10	146

### RESISTOR

SYMBOL NO.	INDEX NO.
R11	146
R12	146
R13	142
R14	142
R15	142
R16	142
R17	142
R18	137
R19	146
R20	137

SYMBOL NO.	INDEX NO.
R21	147
R22	137
R23	137
R24	135
R25	135
R26	154
R27	153
R28	153
R29	153
R30	153

SYMBOL NO.	INDEX NO.
R31	153
R32	135
R33	---
R34	135
R35	---
R36	---
R37	135
R38	147
R39	146
R40	146

SYMBOL NO.	INDEX NO.
R41	138
R42	144
R43	146
R44	146
R45	139
R46	142
R47	146
R48	138
R49	142
R50	142

SYMBOL NO.	INDEX NO.
R51	146
R52	138
R53	138
R54	145
R55	145
R56	135
R57	135
R58	135
R59	135
R60	135

SYMBOL NO.	INDEX NO.
R61	135
R62	142
R63	135
R64	142
R65	142
R66	142
R67	142
R68	142
R69	142
R70	144

SYMBOL NO.	INDEX NO.
R71	142
R72	142
R73	142
R74	142
R75	142
R78	135
R79	135
R80	135
R81	135
R82	135

## 6.PRINTER CONTROL BOARD (G063)

### RESISTOR

SYMBOL NO.	INDEX NO.	SYMBOL NO.	INDEX NO.	SYMBOL NO.	INDEX NO.	SYMBOL NO.	INDEX NO.	SYMBOL NO.	INDEX NO.	SYMBOL NO.	INDEX NO.	SYMBOL NO.	INDEX NO.
R83	135	R98	142	R110	140	R123	142	R141	135	R151	142	R161	142
R84	135	R99	142	R111	140	R124	138	R142	135	R152	142	R162	142
R85	135	R102	140	R112	143	R125	151	R143	---	R153	142	R163	142
R86	139	R103	143	R113	143	R126	152	R144	135	R154	142	R164	142
R87	142	R104	141	R114	143	R127	135	R145	135	R155	142	R165	142
R88	142	R105	142	R115	141	R128	155	R146	135	R156	142	R166	142
R89	142	R106	136	R116	141	R129	150	R147	135	R157	142	R168	135
R90	142	R107	134	R117	141	R130	137	R148	142	R158	142	R169	135
R91	135	R108	142	R119	143	R137	135	R149	142	R159	142	R170	135
R96	135	R109	140	R122	143	R140	135	R150	142	R160	142	R171	135

### RESISTOR

SYMBOL NO.	INDEX NO.	SYMBOL NO.	INDEX NO.
R172	135	R182	142
R173	135	R183	142
R174	135	R184	142
R175	135	R185	142
R176	135	R186	142
R177	135	R187	142
R178	142	R188	142
R179	142	R189	142
R180	142	R197	135
R181	142	R198	135

### REG

SYMBOL NO.	INDEX NO.
REG1	7
REG3	7

### RN

SYMBOL NO.	INDEX NO.	SYMBOL NO.	INDEX NO.	SYMBOL NO.	INDEX NO.	SYMBOL NO.	INDEX NO.	SYMBOL NO.	INDEX NO.
RN1	127	RN11	127	RN21	127	RN31	126		
RN2	127	RN12	127	RN22	126	RN32	126		
RN3	127	RN13	127	RN23	126	RN33	126		
RN4	127	RN14	128	RN24	126	RN34	125		
RN5	128	RN15	127	RN25	126	RN35	125		
RN6	126	RN16	127	RN26	126				
RN7	126	RN17	127	RN27	126				
RN8	127	RN18	127	RN28	126				
RN9	127	RN19	126	RN29	126				
RN10	127	RN20	127	RN30	126				

### SWITCH

SYMBOL NO.	INDEX NO.
SW2	110

## 6.PRINTER CONTROL BOARD (G063)

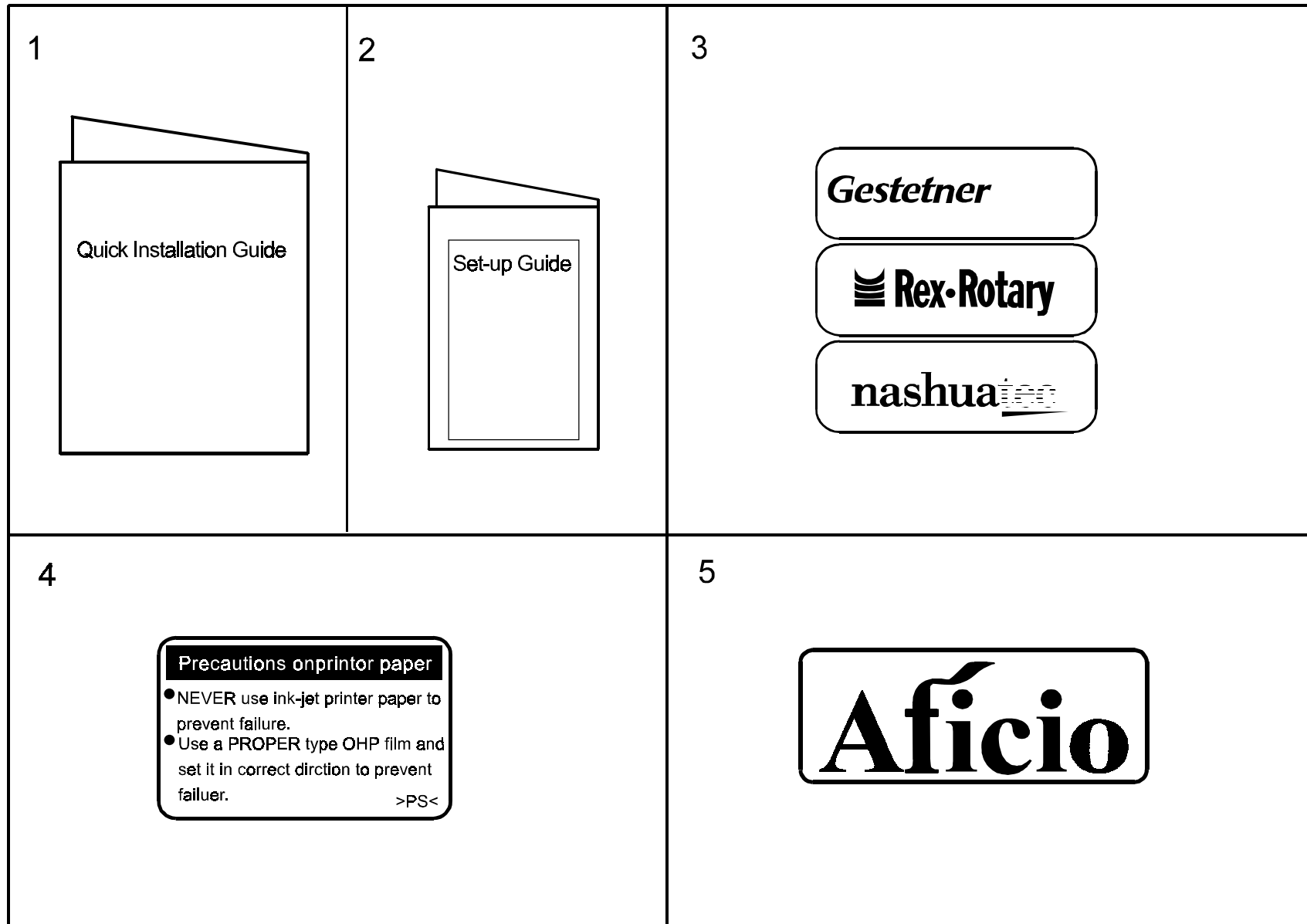
Index No.	Part No.	Description	Q'ty Per Assembly
*	G063 5741	Printer Control Board	1
1	G063 5950	ASIC KOTO - UPD89430GC-001-9EU	1
2	G549 5400	ASIC - EAGLE2	1
3	G056 5900	Mask ROM - RPCS DOM	1
4	G063 5902	Crystal Oscilator-P3 26.644663MHZ	1
5	G063 5903	Centro Module Connector	1
6	G063 5904	Harness FFC Centro	1
7	G063 5908	Series Regulator PQ05VY3H3Z	1

Index No.	Part No.	Description	Q'ty Per Assembly
101	0353 0060Z	Screw - M3X6	
102	0451 3006B	Tapping Screw - M3X6	
103	1102 7358	Connector - 80P	
104	1102 8209	Connector - 53316-0640	
105	1102 8355	Connector - DIMM - DMM2-SD72A-1131	
106	1102 8533	Connector - DIMM 20 6403 144 001 856	
107	1102 8663	Connector - FFC/FPC 54132-4000	
108	1104 0771	IC Socket - 28PIN	
109	1105 0365	Locking Spacer - WLS-20-0	
110	1204 1543	DIP Switch	
111	1402 1058	Diode Array - DA114	
112	1407 2143	TTLIC - 74F244SJ	
113	1407 5275	CMOS Logic - 74LVCHR16245A TSSOP	
114	1407 5322	IC - CMOS LOGIC SN74LVC161284DGG	
115	1407 5334	IC - CMOS LOGIC 74LVC244A TSSOP	
116	1407 5335	RAM - STK12C68-P55	
117	1407 5342	Clock Generator - ICS9248AF-128	
118	1407 5412	CPU RM5261-250Q-REV1.2C	
119	1407 5435	IC - CMOS Logic SN74AHC1G04HDCK	
120	1407 5443	Lineinterface - SN75C1167NS	
121	1408 1270	IC - RN5VD23A	
122	1408 1273	IC - RN5VD28A	
123	1408 1398	Detector - RN5VD42A	
124	1503 0842	Oscillator - 14.31818MHZ	
125	1601 7752	Resistor ARRAY - 10K $\Omega$ $\pm$ 5%	
126	1601 7898	Resistor ARRAY	
127	1601 7914	Resistor ARRAY - 47 $\Omega$ $\pm$ 5%	
128	1601 7943	Resistor ARRAY - 68 $\Omega$ $\pm$ 5% 1/32W	
129	1605 1124	Capacitor 4.7 $\mu$ F+80-20% 10V	
130	1605 1132	Capacitor - 2.2 $\mu$ F+80-20% 16V	
131	1605 1162	Capacitor - 10 $\mu$ F+80-20% 10V	
132	1607 1061	Filter - BLM11P300SPB	
133	1607 1206	Filter - ACC2012L-250	
134	1630 4101	Resistor - 100 $\Omega$ $\pm$ 5% 1/16W	
135	1630 4103	Resistor - 10K $\Omega$ $\pm$ 5% 1/16W	

Index No.	Part No.	Description	Q'ty Per Assembly
136	1630 4121	Resistor - 120 $\Omega$ $\pm$ 5% 1/16W	
137	1630 4122	Resistor - 1.2K $\Omega$ 5% 1/16W	
138	1630 4151	Resistor - 150 $\Omega$ $\pm$ 5% 1/16W	
139	1630 4181	Resistor - 180 $\Omega$ $\pm$ 5% 1/16W	
140	1630 4220	Resistor - 22 $\Omega$ $\pm$ 5% 1/16W	
141	1630 4222	Resistor - 2.2K $\Omega$ $\pm$ 5%	
142	1630 4330	Resistor - 33 $\Omega$ $\pm$ 5% 1/8W	
143	1630 4332	Resistor - 3.3K $\Omega$ $\pm$ 5% 1/16W	
144	1630 4470	Resistor - 470 $\Omega$ $\pm$ 5% 1/16W	
145	1630 4519	Resistor - 5.1 $\Omega$ $\pm$ 5% 1/16W	
146	1630 4680	Resistor - 68 $\Omega$ $\pm$ 5% 1/16W	
147	1630 4820	Resistor - 82 $\Omega$ $\pm$ 5% 1/16W	
148	1633 0000	Resistor - 0 $\Omega$ 1/10W	
149	1634 0000	Resistor - 0 $\Omega$ 1/16W	
150	1634 1301	Resistor - 1.30K $\Omega$ $\pm$ 1% 1/16W	
151	1634 1501	Resistor - 1.50K $\Omega$ - $\pm$ 1% - 1/16W	
152	1634 1601	Resistor - 1.6K $\Omega$ $\pm$ 1% 1/16W	
153	1634 3309	Resistor - 33 $\Omega$ $\pm$ 1% 1/16W	
154	1634 6809	Resistor - 68.0 $\Omega$ $\pm$ 1% 1/16W	
155	1634 7500	Resistor - 750 $\Omega$ $\pm$ 1% 1/16W	
156	1642 1101	Capacitor - 100 $\mu$ F $\pm$ 20% 16V	
157	1643 1470	Capacitor - 47 $\mu$ F $\pm$ 20% 16V	
158	1660 0100	Capacitor - 10PF $\pm$ 0.5pF 50V	
159	1660 2101	Capacitor - ACITOR - 100pF - $\pm$ 10% - 50V	
160	1660 2221	Capacitor - 220pF +80-20% 50V	
161	1660 2330	Capacitor - 33pF - $\pm$ 5% - 50V	
162	1660 2471	Capacitor - 470pF - $\pm$ 5% - 50V	
163	1660 4102	Capacitor - 1000pF $\pm$ 10% 50V	
164	1660 6103	Capacitor - 10000pF - +80%-20%50V	
165	1660 8104	Capacitor - 0.1uF +80-20% 25V	
166	1906 0016	IC - LH28F160BJE-BTL70	

Index No.	Part No.	Description	Q'ty Per Assembly
-----------	----------	-------------	-------------------

## 7.DECAL AND DOCUMENTS (G063)



## 7.DECAL AND DOCUMENTS (G063)

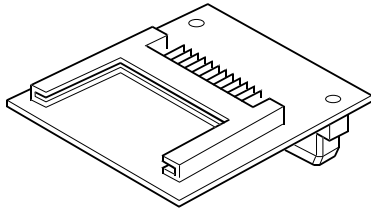
Index No.	Part No.	Description	Q'ty Per Assembly
1	G063 8617	Quick Installation Guide ENG LT	1
1	G063 8935	Quick Installation Guide ENG A4	1
2	G063 8627	Set-up Guide ENG LT (O/I)	1
3	G063 8820	Decal - Nashuatec	1
3	G063 8822	Decal - Rex-Rotary	1
3	G063 8824	Decal - Gestetner	1
4	A259 1531	Decal - Precaution	1
5	G029 6845	Decal - Model Name	1

Index No.	Part No.	Description	Q'ty Per Assembly

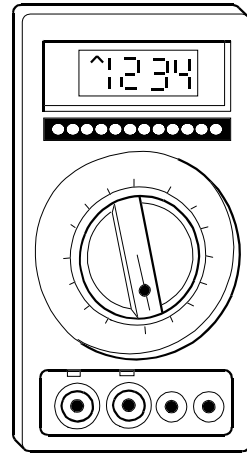


## 8.SPECIAL TOOLS (G063)

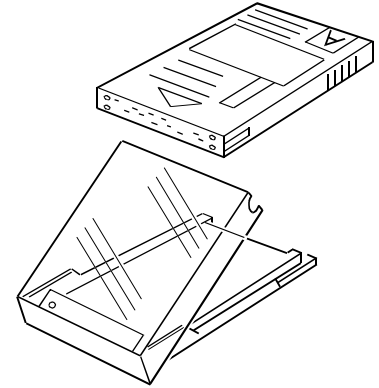
1



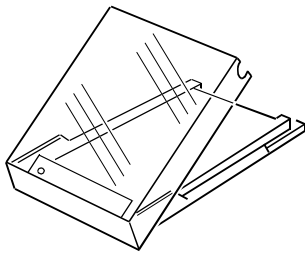
2



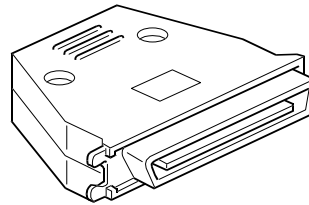
3



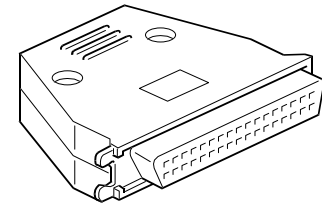
4



5



6



## 8.SPECIAL TOOLS (G063)

Index No.	Part No.	Description	Q'ty Per Assembly
1	G031 9350	IC Card Adapter P3/P4	1
2	A029 9387	Digital Multimeter - FLUKE87	1
3	A230 9352	Flash Memory Card - 4MB	1
4	A230 9351	Case - Flash Memory Card	1
5	G021 9350	Loopback Connector - Parallel	1
6	G010 9351	Loopback Connector - RS232C	1

Index No.	Part No.	Description	Q'ty Per Assembly

# Parts Index

## PM Parts Index

Section Name	Part No.	Description in Service Manual	Description in Parts Catalog	Q'ty Per Assembly	Page and Index No.
MAIN FRAME1	V127 189	Fusing Unit (US)	Fusing Unit (US) 2	1	3- 1
	V127 192	Transfer Roller	Transfer Roller 2	1	3- 2
	V127 193	Paper Discharger	Paper Discharger 2	1	3- 3
	V127 194	Drum Cleaner	Drum Cleaner 2	1	3- 4
MAIN FRAME3	V127 190	Fusing Unit(EC)	Fusing Unit(EC)2	1	7- *
	V127 258	Transfer Drum	Transfer Drum 2	1	7- 21
MAIN FRAME4	V126 142	Paper Feeding Roller	Paper Feeding Roller	1	8- 1
	V126 528	Separator Pad	Separator Pad (2)	1	8- 2

## Parts Index

Part No.	Description	Page and Index No.
G063 5720	DIMM Board - RPS2	8- 12
G063 5741	Printer Control Board	17- *
G063 5741	Printer Control Board	8- 11
G063 5902	Crystal Oscilator-P3 26.644663MHZ	17- 4
G063 5903	Centro Module Connector	17- 5
G063 5904	Harness FFC Centro	17- 6
G063 5908	Series Regulator PQ05VY3H3Z	17- 7
G063 5950	ASIC KOTO - UPD89430GC-001-9EU	17- 1
G063 8617	Quick Installation Guide ENG LT	19- 1
G063 8627	Set-up Guide ENG LT (O/I)	19- 2
G063 8820	Decal - Nashuatec	19- 3
G063 8822	Decal - Rex-Rotary	19- 3
G063 8824	Decal - Gestetner	19- 3
G063 8935	Quick Installation Guide ENG A4	19- 1

Part No.	Description	Page and Index No.
G010 9351	Loopback Connector - RS232C	21- 6
G021 9350	Loopback Connector - Parallel	21- 5
G029 6845	Decal - Model Name	19- 5
G031 9350	IC Card Adapter P3/P4	21- 1
G056 5900	Mask ROM - RPCS DOM	17- 3
G063 5720	DIMM Board - RPS2	8- 12
G063 5741	Printer Control Board	8- 11
G063 5741	Printer Control Board	17- *
G063 5902	Crystal Oscilator-P3 26.644663MHZ	17- 4
G063 5903	Centro Module Connector	17- 5
G063 5904	Harness FFC Centro	17- 6
G063 5908	Series Regulator PQ05VY3H3Z	17- 7
G063 5950	ASIC KOTO - UPD89430GC-001-9EU	17- 1
G063 8617	Quick Installation Guide ENG LT	19- 1
G063 8627	Set-up Guide ENG LT (O/I)	19- 2
G063 8820	Decal - Nashuatec	19- 3
G063 8822	Decal - Rex-Rotary	19- 3
G063 8824	Decal - Gestetner	19- 3
G063 8935	Quick Installation Guide ENG A4	19- 1
G549 5400	ASIC - EAGLE2	17- 2
V123 817	Interlock Switch	7- 26
V123 817	Interlock Switch	5- 54
V123 842	Discharge Brush	5- 20
V126 142	Paper Feeding Roller	8- 1
V126 144	Erase Lamp	7- 30
V126 145	Oil Sensor	7- 32
V126 148	Power Cord(US)	3- 6
V126 152	Paper Feeding Clutch	7- 1
V126 153	Registration Clutch	7- 2
V126 154	Fuser Clutch	7- 3
V126 163	Cooling Fan (OZ)	7- 16
V126 164	Ozone Filter	3- 5
V126 167	Paper Sensor (P.EN)	8- 4
V126 167	Paper Sensor (PT2)	5- 24
V126 167	Paper Sensor (F.CL)	5- 25

Part No.	Description	Page and Index No.
V126 167	Paper Sensor (D. EN)	7- 22
V126 167	Paper Sensor (PT1)	8- 5
V126 167	Paper Sensor (EXF)	5- 28
V126 168	Drum Jam Sensor	7- 34
V126 168	Belt Sensor	7- 33
V126 169	Toner Sensor	7- 17
V126 200	FP Cassette Guide L	5- 48
V126 201	FP Cassette Guide R	5- 49
V126 504	Panel Button (RI)	5- 18
V126 505	Panel P.W.B	5- 19
V126 517	Panel Case Assy	5- 29
V126 528	Separator Pad (2)	8- 2
V126 533	Erase Holder (2 pcs)	7- 31
V126 534	PTI Sensor Lever 2	3- 11
V126 545	Paper Guide L	8- 10
V126 568	Rear Cover (U) Cap (RI)	5- 14
V126 639	FB Cam Clutch	7- 6
V126 639	TR Cam Clutch	7- 5
V126 648	OHP Sensor	8- 3
V126 660	Paper Exit Filter	5- 22
V126 662	Cleaner Clutch 2	7- 7
V127 189	Fusing Unit(US)2	7- *
V127 189	Fusing Unit (US) 2	3- 1
V127 190	Fusing Unit (EC) 2	3- 1
V127 190	Fusing Unit(EC)2	7- *
V127 192	Transfer Roller 2	3- 2
V127 193	Paper Discharger 2	3- 3
V127 194	Drum Cleaner 2	3- 4
V127 196	Cleaner Cover	3- 8
V127 200	CP End Plate	3- 12
V127 201	Ragistration Roller 2	3- 13
V127 208	Paper Exit Front Cover 2	5- 7
V127 217	High Voltage Unit 2	5- 17
V127 218	Cooling Fan (EX) 2	5- 21
V127 221	Paper Exit Gear Z19	5- 30

Part No.	Description	Page and Index No.
V127 222	FCS Cover Assy	5- 31
V127 223	Paper Size Sensor 2	5- 32
V127 224	BC Ter minal 2	5- 33
V127 225	SL2 Panel Base	5- 34
V127 227	Shild Cover B	5- 36
V127 228	Shild Cover A	5- 37
V127 229	Shild Case Assy	5- 38
V127 230	BC Lock Lever (set)	5- 39
V127 231	P. EX Switch Guide	5- 40
V127 232	P.EX Frame Assy	5- 41
V127 233	P.EX Idle RolLer(set)	5- 42
V127 234	P.EX Harness Cover	5- 43
V127 235	IOD Harness Guide	5- 44
V127 237	FD2 Arm Assy	5- 46
V127 238	DE Solenoid Assy	5- 47
V127 241	DC Guide L	5- 50
V127 242	DC Guide R	5- 51
V127 243	WT U Spring	5- 52
V127 244	TR Terminal Base Assy	5- 53
V127 245	Developer Clutch 2	7- 4
V127 246	Main Motor 2	7- 8
V127 247	BD Gear Assy 2	7- 9
V127 248	Main Gear Unit 2	7- 10
V127 249	Developer Motor 2	7- 11
V127 250	Developer Drive Unit 2	7- 12
V127 251	Dev. Drive Gear 2(4 pcs)	7- 13
V127 252	FP2 Gear Assy	7- 14
V127 253	Waste Toner Feeder (L) 2	7- 15
V127 255	Toner Key Sensor 2	7- 18
V127 256	WT Holder Assy 2	7- 19
V127 257	IOD 1 P.W.B 2	7- 20
V127 258	Transfer Drum 2	7- 21
V127 261	Fuser Connector 2	7- 25
V127 262	IOD 2 P.W.B 2	7- 27
V127 263	Cooling Fan (PS) 2	7- 28

Part No.	Description	Page and Index No.
V127 264	Waste Toner Feeder (U) 2	7- 29
V127 265	Optical Unit 2	7- 36
V127 267	Cover (FR)	7- 39
V127 268	Fusing Heater (US)2	7- 40
V127 269	Fusing Heater (EC)2	7- 41
V127 271	Baack-UP Roller 2	7- 43
V127 272	Fusing Roller 2	7- 44
V127 273	Gear (FU)(BR)2	7- 45
V127 274	FU2 Gear 63	7- 46
V127 275	Ball Bearing FU 2 (2pcs)	7- 47
V127 276	Fuser Cover (R)2	7- 48
V127 277	Fuser Cover (L)2	7- 49
V127 278	Oil Pan Unit 2	7- 50
V127 279	FU Felt Assy 2	7- 51
V127 280	BR Felt Assy 2	7- 52
V127 281	SL2 SW Base F	7- 53
V127 282	SL2 Inner Cover C	7- 54
V127 283	Oil Sensor Cover	7- 55
V127 284	Shild Upper	7- 56
V127 285	SL2 PS Fan Assy	7- 57
V127 286	Paper Guide (UL) Assy 2	8- 6
V127 287	Paper Guide (UR) 2	8- 7
V127 288	TR3 Rear Band	8- 8
V127 289	TR3 Hinge Supprt	8- 9
V127 336	Screw Pack	5- 58
V127 355	Harness WH (A)	13- 1
V127 356	Harness WH (B) (US)	13- 2
V127 357	Harness WH (C)	13- 3
V127 358	Harness WH (D)	13- 4
V127 359	Harness WH (I1/SEN)	13- 5
V127 360	Harness WH (LPC)	13- 6
V127 361	Harness WH (SIZE)	13- 7
V127 362	Harness WH (I1/TO)	13- 8
V127 363	Harness WH (PEX)	13- 9
V127 364	Harness WH (HTPN) (US)	13- 10

Part No.	Description	Page and Index No.
V127 365	Harness WH (I2/FD)	13- 11
V127 366	Harness WH (DUAL) (US)	13- 12
V127 367	Harness WH (MC/I1)	13- 13
V127 371	Paper Cassette 2 (RI)E	3- 7
V127 372	TR Unit Cover 2 (RI)	3- 9
V127 373	Transfer Unit 2 (RI)	3- 10
V127 374	Top Cover Assy 2 (RI)	5- 1
V127 375	Side Cover R 2 (RI)	5- 2
V127 376	Side Cover L 2 (RI)	5- 3
V127 377	Upper Side Cover L 2 (RI)	5- 4
V127 378	Front Cover 2 (RI)	5- 5
V127 379	Paper Exit Unit Cover 2 (RI)	5- 6
V127 380	Base Cover R 2 (RI)	5- 8
V127 381	Base Cover L 2 (RI)	5- 9
V127 382	Rear Cover 2 (RI)	5- 10
V127 383	Rear Cover U 2 (RI)	5- 11
V127 384	Side F Cover L 2 (RI)	5- 12
V127 385	Paper Exit Upper Cover 2 (RI)	5- 13
V127 386	Front Cover Unit 2 (RI)	5- 15
V127 387	MCTL P.W.B 2	5- 16
V127 388	Ozone Filter Cover (RI)	5- 23
V127 389	Paper Exit Unit 2 (RI)	5- 26
V127 390	Paper Exit Roller	5- 27
V127 391	P. EX Button	5- 35
V127 392	Front Cover Catch	5- 45
V127 393	Power Supply Unit (US) 2	7- 23
V127 394	Power Supply Unit (EC) 2	7- 24
V127 395	Paper Guide D 2 (2pcs)	7- 35
V127 396	SW Button	7- 38
V127 398	Harness WH (B)-C (EU)	13- 2
V127 399	Harness WH (HTPN)-B (EU)	13- 10
V127 400	Harness WH (DUAL)-B (EU)	13- 12
V127 418	Hinge Base 2 (L,R)	5- 55
V127 419	Hinge Spring 2 (L,R)	5- 56
V127 422	S Plate 2 (R)	5- 57

Part No.	Description	Page and Index No.
A029 9387	Digital Multimeter - FLUKE87	21- 2
A230 9351	Case - Flash Memory Card	21- 4
A230 9352	Flash Memory Card - 4MB	21- 3
A259 1531	Decal - Precaution	19- 4

Part No.	Description	Page and Index No.
0353 0060Z	Screw - M3X6	17-101
0451 3006B	Tapping Screw - M3X6	17-102
1102 7358	Connector - 80P	17-103
1102 8209	Connector - 53316-0640	17-104
1102 8355	Connector - DIMM - DMM2-SD72A-1131	17-105
1102 8533	Connector - DIMM 20 6403 144 001 856	17-106
1102 8663	Connector - FFC/FPC 54132-4000	17-107
1104 0771	IC Socket - 28PIN	17-108
1105 0365	Locking Spacer - WLS-20-0	17-109
1204 1543	DIP Switch	17-110
1402 1058	Diode Array - DA114	17-111
1407 2143	TTLIC - 74F244SJ	17-112
1407 5275	CMOS Logic - 74LVCHR16245A TSSOP	17-113
1407 5322	IC - CMOS LOGIC SN74LVC161284DGG	17-114
1407 5334	IC - CMOS LOGIC 74LVC244A TSSOP	17-115
1407 5335	RAM - STK12C68-P55	17-116
1407 5342	Clock Generator - ICS9248AF-128	17-117
1407 5412	CPU RM5261-250Q-REV1.2C	17-118
1407 5435	IC - CMOS Logic SN74AHC1G04HDCK	17-119
1407 5443	Lineinterface - SN75C1167NS	17-120
1408 1270	IC - RN5VD23A	17-121
1408 1273	IC - RN5VD28A	17-122
1408 1398	Detector - RN5VD42A	17-123
1503 0842	Oscillator - 14.31818MHZ	17-124
1601 7752	Resistor ARRAY - 10K $\Omega$ $\pm$ 5%	17-125
1601 7898	Resistor ARRAY	17-126
1601 7914	Resistor ARRAY - 47 $\Omega$ $\pm$ 5%	17-127
1601 7943	Resistor ARRAY - 68 $\Omega$ $\pm$ 5% 1/32W	17-128
1605 1124	Capacitor 4.7 $\mu$ F +80-20% 10V	17-129
1605 1132	Capacitor - 2.2 $\mu$ F +80-20% 16V	17-130
1605 1162	Capacitor - 10 $\mu$ F +80-20% 10V	17-131
1607 1061	Filter - BLM11P300SPB	17-132
1607 1206	Filter - ACC2012L-250	17-133
1630 4101	Resistor - 100 $\Omega$ $\pm$ 5% 1/16W	17-134
1630 4103	Resistor - 10K $\Omega$ $\pm$ 5% 1/16W	17-135



Part No.	Description	Page and Index No.
1630 4121	Resistor - 120 $\Omega$ $\pm$ 5% 1/16W	17-136
1630 4122	Resistor - 1.2K $\Omega$ 5% 1/16W	17-137
1630 4151	Resistor - 150 $\Omega$ $\pm$ 5% 1/16W	17-138
1630 4181	Resistor - 180 $\Omega$ $\pm$ 5% 1/16W	17-139
1630 4220	Resistor - 22 $\Omega$ $\pm$ 5% 1/16W	17-140
1630 4222	Resistor - 2.2K $\Omega$ $\pm$ 5%	17-141
1630 4330	Resistor - 33 $\Omega$ $\pm$ 5% 1/8W	17-142
1630 4332	Resistor - 3.3K $\Omega$ $\pm$ 5% 1/16W	17-143
1630 4470	Resistor - 470 $\Omega$ $\pm$ 5% 1/16W	17-144
1630 4519	Resistor - 5.1 $\Omega$ $\pm$ 5% 1/16W	17-145
1630 4680	Resistor - 68 $\Omega$ $\pm$ 5% 1/16W	17-146
1630 4820	Resistor - 82 $\Omega$ $\pm$ 5% 1/16W	17-147
1633 0000	Resistor - 0 $\Omega$ 1/10W	17-148
1634 0000	Resistor - 0 $\Omega$ 1/16W	17-149
1634 1301	Resistor - 1.30K $\Omega$ $\pm$ 1% 1/16W	17-150
1634 1501	Resistor - 1.50K $\Omega$ - $\pm$ 1% - 1/16W	17-151
1634 1601	Resistor - 1.6K $\Omega$ $\pm$ 1% 1/16W	17-152
1634 3309	Resistor - 33 $\Omega$ $\pm$ 1% 1/16W	17-153
1634 6809	Resistor - 68.0 $\Omega$ $\pm$ 1% 1/16W	17-154
1634 7500	Resistor - 750 $\Omega$ $\pm$ 1% 1/16W	17-155
1642 1101	Capacitor - 100 $\mu$ F $\pm$ 20% 16V	17-156
1643 1470	Capacitor - 47 $\mu$ F $\pm$ 20% 16V	17-157
1660 0100	Capacitor - 10PF $\pm$ 0.5pF 50V	17-158
1660 2101	Capacitor - ACITOR - 100pF - $\pm$ 10% - 50V	17-159
1660 2221	Capacitor - 220pF +80-20% 50V	17-160
1660 2330	Capacitor - 33pF - $\pm$ 5% - 50V	17-161
1660 2471	Capacitor - 470pF - $\pm$ 5% - 50V	17-162
1660 4102	Capacitor - 1000pF $\pm$ 10% 50V	17-163
1660 6103	Capacitor - 10000pF - +80%-20%50V	17-164
1660 8104	Capacitor - 0.1 $\mu$ F +80-20% 25V	17-165
1906 0016	IC - LH28F160BJE-BTL70	17-166

Part No.	Description	Page and Index No.
----------	-------------	--------------------